

# DuxxBak

Water Shedding Deck System



## DuxxBak Deck Board Replacement Guide

Your DuxxBak deck will provide many years of satisfactory service. However, it is possible that unexpected damage may occur. It may then be necessary to replace the damaged board or boards to maintain the water shedding characteristics of your deck. The following guide is being provided to offer guidance in the replacement of the DuxxBak deck board or boards.

1. Determine that a DuxxBak deck board must be replaced to return your deck to its original condition. Note that the replacement board will be secured through the top surface of the board as the fastening wing will not be available and access to that area will also not be available. If more than one adjacent board will be installed only the final board will be face screwed.
2. Determine how many DuxxBak Boards must be replaced. Note that it will be necessary to provide deck board color and length.
3. Arrange for the purchase of the required DuxxBak deck board. It will also be necessary to assure that waterproofing butyl tape, stainless steel trim head screws (#7, #8, or #9 x 2-1/4" or longer), and a silicone sealant are available.
4. Place a chalk line or other mark along the length of the board to be removed as shown (see illustration 1). Note that it may be beneficial to make the cut in the septum nearer the groove edge of the board as shown.

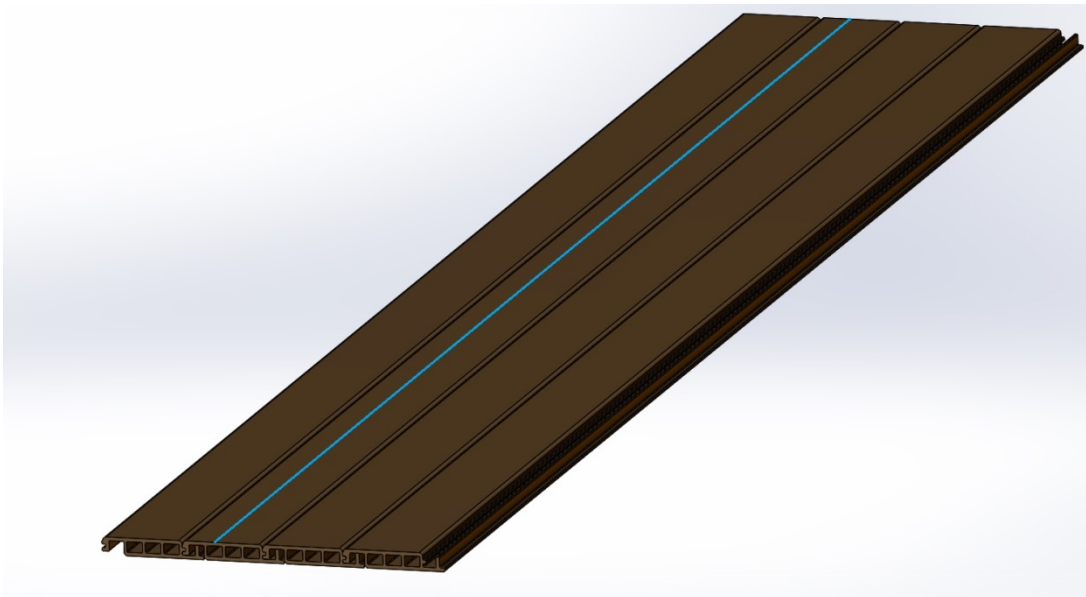


Illustration 1: Place a chalk line or mark as shown above

5. Using a circular saw set to a depth of 1.27" to avoid penetrating the supporting structure (verify depth) cut the length of the board to divide the board into two pieces to allow for removal of the board. It may be necessary to use an oscillating tool or other tool that can work in close quarters to complete the cut near a wall or other obstruction. **Always wear safety glasses and work carefully to avoid injury.**
6. After the board has been separated into two sections maneuver the unfastened groove section of the board out of its position and discard it. Some effort may be necessary to remove the section.
7. After the loose section has been removed, the remaining secured section can be removed by using a pry bar to lift at each joist to break the fastening wing at the points where its fasteners are located (see illustration 2).

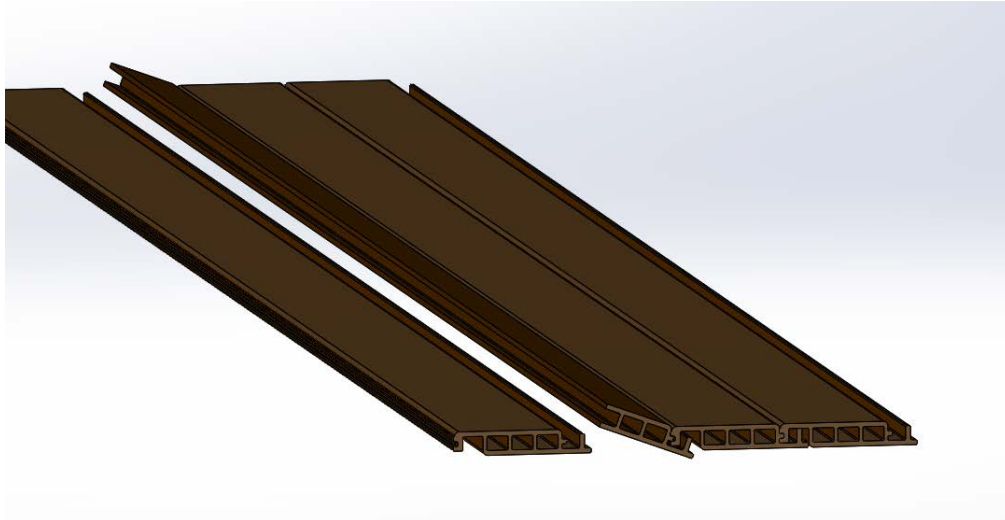


Illustration 2: removal of the secured half of the DuxxBak board (may require the use of a pry bar)

8. Prepare the new board for installation. Cut away the fastening wing along the entire length of the board (see illustration 3). Also cut away the bottom lip of the groove along the entire length of the board (see illustration 3). Note that if more than one deck board is being replaced only the last one to be installed will have to be modified.

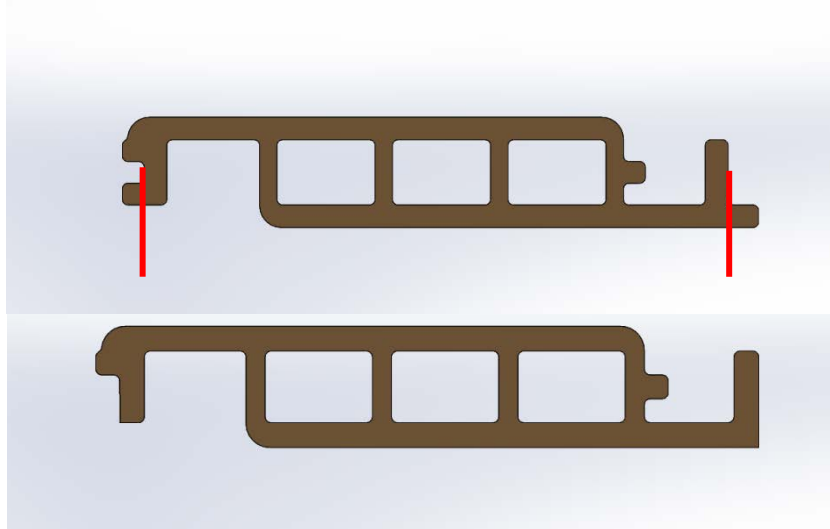


Illustration 3: The top image shows the DuxxBak board profile with red lines indicating where to make cuts. The bottom image shows the profile that the board should have after the cuts are made

9. Prepare the substructure to accept the replacement board or boards. The now exposed fasteners that held the damaged board can be removed. Assure that there are no interference points.
10. Place a bead of sealant on the joist where the end of the deck board will rest at the house side of the deck. Assure that all points of potential water entry are properly sealed as the board replacement proceeds.

11. Position the prepared deck board and secure it to the joists (**a strip of waterproofing butyl tape should be placed on the bottom of the deck board at the point where the fasteners will penetrate through the top of the deck board**) by inserting two trim head screws through the face of the board at each joist. Assure that the fasteners are placed near the septum of the deck board to take advantage of the points of strength. The screw heads should be seated just below the top surface of the deck board to avoid pullout.
12. It is possible to conceal the heads of the trim head screws for a more attractive finish. Insert the screws just below the surface of the board. Then, use the rounded end of a ballpeen hammer to fold the excess material around the point of insertion over to cover the opening left by the screw insertion.

**Thank you for using our DuxxBak™ Water Shedding Decking System**

**Green Bay Decking, LLC**  
1518 South Broadway  
Green Bay, WI 54304  
(877) 804-0137

